

NIKOR

NIKOR Z DX 50-250mm f/4.5-6.3 VR

En User's Manual (with Warranty)

De Benutzerhandbuch (inkl. Garantiebeleg)

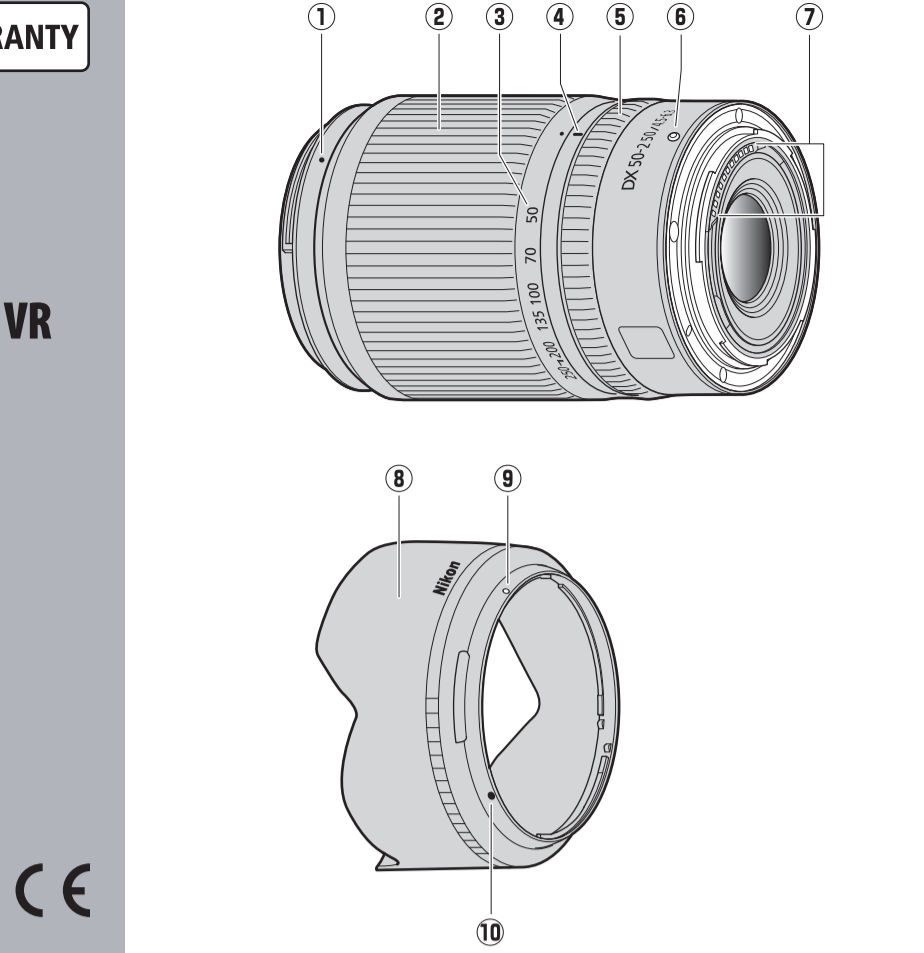
Fr Manuel d'utilisation (avec garantie)

Nl Gebruikshandleiding (met garantie)

It Manuale d'uso (con garanzia)

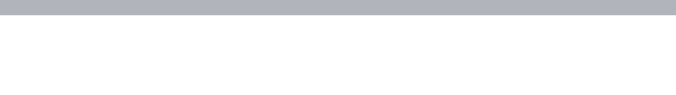
Es Manual del usuario (con garantía)

Pa Manual do Utilizador (com Garantia)



Printed in Thailand
7MMA197E-03

NIKON CORPORATION



Nikon Europe Service Warranty Card

NIKOR Z DX 50-250mm f/4.5-6.3 VR

Model name/Produkt-Modellname/Nombre del modelo/Modelo do modelo/Modelo do modelo

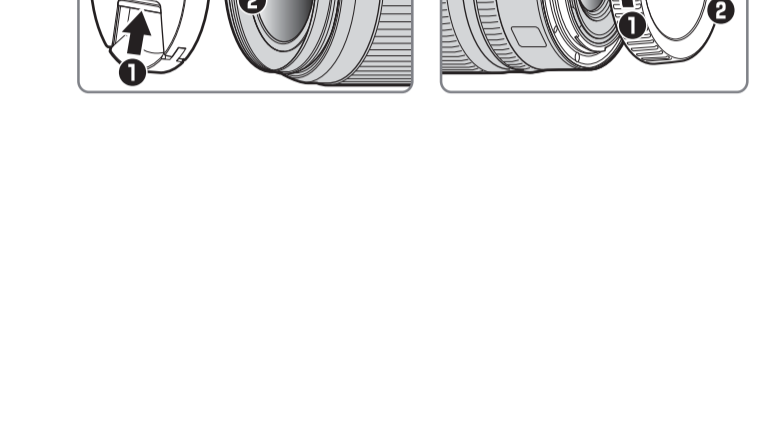
Serieal No./Seriennummer/Numero del modelo/Numero do modelo

Part number/Teilenummer/Numero do produto/Numero do produto

Name and address of customer/Nome e Adresse do Cliente/Nome e endereço do cliente

Name and address of retailer/Nome e endereço do revendedor/Nombre e dirección del distribuidor

Name and address of Nikon Europe Service Center/Nombre e endereço do centro de serviço/Nome e endereço do cliente



Nikon Europe Service Warranty Card

NIKOR Z DX 50-250mm f/4.5-6.3 VR

Model name/Produkt-Modellname/Nombre del modelo/Modelo do modelo/Modelo do modelo

Serieal No./Seriennummer/Numero del modelo/Numero do modelo

Part number/Teilenummer/Numero do produto/Numero do produto

Name and address of customer/Nome e Adresse do Cliente/Nome e endereço do cliente

Name and address of retailer/Nome e endereço do revendedor/Nombre e dirección del distribuidor

Name and address of Nikon Europe Service Center/Nombre e endereço do centro de serviço/Nome e endereço do cliente

Nikon Corporation

Shinjuku Engineering Tower C, 2-15-3 Minato, Minato-ku, Tokyo 108-6292 Japan

Warranty Terms

This warranty is provided to you as a consumer under the laws of the country in which you are resident at the time of purchase of the product. This warranty does not cover the product if it is used for any purpose other than that specified in the warranty. This warranty is provided to you as a consumer under the laws of the country in which you are resident at the time of purchase of the product. This warranty does not cover the product if it is used for any purpose other than that specified in the warranty. This warranty is provided to you as a consumer under the laws of the country in which you are resident at the time of purchase of the product. This warranty does not cover the product if it is used for any purpose other than that specified in the warranty.

Conditions of the warranty

This warranty is provided to you as a consumer under the laws of the country in which you are resident at the time of purchase of the product. This warranty does not cover the product if it is used for any purpose other than that specified in the warranty. This warranty is provided to you as a consumer under the laws of the country in which you are resident at the time of purchase of the product. This warranty does not cover the product if it is used for any purpose other than that specified in the warranty. This warranty is provided to you as a consumer under the laws of the country in which you are resident at the time of purchase of the product. This warranty does not cover the product if it is used for any purpose other than that specified in the warranty.

Exclusions

This warranty is provided to you as a consumer under the laws of the country in which you are resident at the time of purchase of the product. This warranty does not cover the product if it is used for any purpose other than that specified in the warranty. This warranty is provided to you as a consumer under the laws of the country in which you are resident at the time of purchase of the product. This warranty does not cover the product if it is used for any purpose other than that specified in the warranty. This warranty is provided to you as a consumer under the laws of the country in which you are resident at the time of purchase of the product. This warranty does not cover the product if it is used for any purpose other than that specified in the warranty.

Additional Information

This warranty is provided to you as a consumer under the laws of the country in which you are resident at the time of purchase of the product. This warranty does not cover the product if it is used for any purpose other than that specified in the warranty. This warranty is provided to you as a consumer under the laws of the country in which you are resident at the time of purchase of the product. This warranty does not cover the product if it is used for any purpose other than that specified in the warranty. This warranty is provided to you as a consumer under the laws of the country in which you are resident at the time of purchase of the product. This warranty does not cover the product if it is used for any purpose other than that specified in the warranty.

Contact Us

This warranty is provided to you as a consumer under the laws of the country in which you are resident at the time of purchase of the product. This warranty does not cover the product if it is used for any purpose other than that specified in the warranty. This warranty is provided to you as a consumer under the laws of the country in which you are resident at the time of purchase of the product. This warranty does not cover the product if it is used for any purpose other than that specified in the warranty.

En User's Manual

Before using this product, please read these instructions carefully. You will also need to consult the camera manual.

- This lens is intended exclusively for use with mirrorless cameras featuring a Nikon Z mount.
- Update to the latest version of the camera firmware before using this lens with the Z 7 or Z 6, as otherwise the camera may fail to correctly recognize the lens and features such as vibration reduction may be unavailable. The latest firmware is available from the Nikon Download Center.

For Your Safety

To prevent damage to property or injury to yourself or to others, read "For Your Safety" in its entirety before using this product.

Keep these safety instructions where all those who use this product will read them.

⚠ WARNING: Failure to observe the precautions marked with this icon could result in fire or severe injury.

⚠ CAUTION: Failure to observe the precautions marked with this icon could result in injury or property damage.

⚠ WARNING

- Do not disassemble or modify this product.
- Do not touch internal parts that become exposed as the result of a fall or other accident. Failure to observe these precautions could result in electric shock or other injury.

- Do not touch any abnormalities such as the product producing smoke, heat, or unusual odors, immediately disconnect the camera power source.
- Continued operation could result in fire, burns or other injury.

⚠ WARNING

- Do not handle with wet hands.
- Failure to observe these precautions could result in fire or electric shock.

- Do not use this product in the presence of flammable dust or gas such as propane, gasoline or aerosols.
- Failure to observe this precaution could result in explosion or fire.

⚠ CAUTION

- Do not directly view the sun or other bright light source through the lens.
- Failure to observe this precaution could result in visual impairment.

⚠ CAUTION

- Do not handle with bare hands in locations exposed to extremely high or low temperatures.
- Failure to observe this precaution could result in burns or frostbite.

⚠ CAUTION

- Do not leave the lens pointed at the sun or other strong light sources.
- Light focused by the lens could cause fire or damage to product's internal parts. When shooting bright subjects, keep the sun well out of the frame. Sunlight focused into the camera when the lens is close to the frame could cause fire.

⚠ CAUTION

- Do not leave the product where it will be exposed to extremely high temperatures, for an extended period such as in an enclosed automobile or in direct sunlight.
- Failure to observe this precaution could result in fire or product malfunction.

⚠ CAUTION

- Do not transport cameras or lenses with tripods or similar accessories attached.
- Failure to observe this precaution could result in injury or product malfunction.

⚠ CAUTION

- Do not leave the lens pointed at the sun or other strong light sources.
- Light focused by the lens could cause fire or damage to product's internal parts. When shooting bright subjects, keep the sun well out of the frame. Sunlight focused into the camera when the lens is close to the frame could cause fire.

⚠ CAUTION

- Do not leave the product where it will be exposed to extremely high temperatures, for an extended period such as in an enclosed automobile or in direct sunlight.
- Failure to observe this precaution could result in fire or product malfunction.

⚠ CAUTION

- Do not transport cameras or lenses with tripods or similar accessories attached.
- Failure to observe this precaution could result in injury or product malfunction.

Notices for Customers in Europe

This symbol indicates that electrical and electronic equipment is to be collected separately.

The following apply only to users in European countries:

This product is designed for separate collection at an appropriate collection point. Do not dispose of as household waste.

Separate collection and recycling helps conserve natural resources and prevent negative consequences for human health and the environment that might result from incorrect disposal.

For more information, contact the retailer or the local authorities in charge of waste management.

This symbol indicates that electrical and electronic equipment is to be collected separately.

The following apply only to users in European countries:

This product is designed for separate collection at an appropriate collection point. Do not dispose of as household waste.

Separate collection and recycling helps conserve natural resources and prevent negative consequences for human health and the environment that might result from incorrect disposal.

For more information, contact the retailer or the local authorities in charge of waste management.

Using the Lens

Parts of the Lens: Names and Functions

Refer to the diagram on the left edge of this sheet.

Diagram Label	Description	Function
1 Lens hood mounting mark	Use when attaching the lens hood.	See C
2 Zoom ring	Rotate to zoom in or out. Be sure to extend the lens before use.	See B
3 Focal length scale	Determine the approximate focal length when zooming the lens in or out.	---
4 Focal length mark	---	---
Autofocus mode selector	In autofocus mode, set the mode to adjust a setting such as Focus (M/AI) or [Aperture] assigned with the camera. For more information, see the description of [Custom control assignment]/[Custom controls (shooting)] in the camera manual.	---
Manual focus mode selector	Rotate the ring to focus.	---
6 Lens mounting mark	Use when mounting the lens on the camera.	See A
7 CPU contacts	Used to transfer data to and from the camera.	---
8 Lens hood*	Lens hood block stray light that would otherwise cause flare or ghosting. They also serve to protect the lens.	---
9 Lens hood alignment mark	Use when attaching the lens hood.	See C
10 Front lens cap	---	---
12 Rear lens cap	---	---

* Available separately.

A Attachment and Removal

Attaching the Lens

- Turn the camera off, remove the body cap, and detach the rear lens cap.

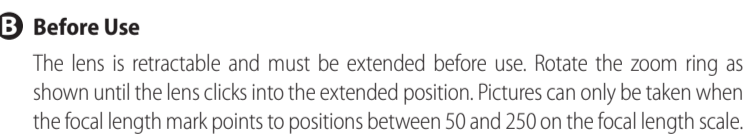
- Position the lens on the camera body, keeping the mounting mark on the lens aligned with the mounting mark on the camera body, and then rotate the lens counterclockwise until it clicks into place.

Removing the Lens

- Turn the camera off.
- Press and hold the lens release button while turning the lens clockwise.

B Before Use

The lens is retractable and must be extended before use. Rotate the zoom ring as shown until the lens clicks into the extended position. Pictures can only be taken when the focal length mark points to positions between 50 and 250 on the focal length scale.



* Pictures can be taken at these focal lengths.

Weight

Nikon reserves the right to change the appearance, specifications, and performance of this product at any time and without prior notice.

To retract the lens, rotate the zoom ring in the opposite direction, stopping when you reach the **(●)** position on the focal length scale.

If the camera is turned on with the lens retracted, a warning will be displayed. Extend the lens before use.

Um das Objektiv einzuziehen, drehen Sie den Zoomring in die entgegengesetzte Richtung, bis Sie die Markierung **(●)** auf der Brennweitenkala erreichen.

Wenn Sie die Kamera mit eingezogenem Objektiv einschalten, erscheint eine Warnung. Fahren Sie das Objektiv vor dem Aufnehmen aus.

Para reaccionar el objetivo, gire el zoom ring en la dirección opuesta, deteniendo cuando alcance la posición de la marca (●) en la escala de longitudes focales.

Se o câmera for ligada com o objetivo recolhido, será exibida uma mensagem de aviso. Estenda o objetivo antes de usar.

Per ritirare l'obiettivo, ruotare l'anello di zoom nella direzione opposta, fermandosi quando si è arrivati alla posizione della marca (●) sulla scala delle lunghezze focali.

Se o câmera for ligada com o objetivo recolhido, será exibida uma mensagem de aviso. Estenda o objetivo antes de usar.

Para reaccionar el objetivo, gire el zoom ring en la dirección opuesta, deteniendo cuando alcance la posición de la marca (●) en la escala de longitudes focales.

Se o câmera for ligada com o objetivo recolhido, será exibida uma mensagem de aviso. Estenda o objetivo antes de usar.

Per ritirare l'obiettivo, ruotare l'anello di zoom nella direzione opposta, fermandosi quando si è arrivati alla posizione della marca (●) sulla scala delle lunghezze focali.

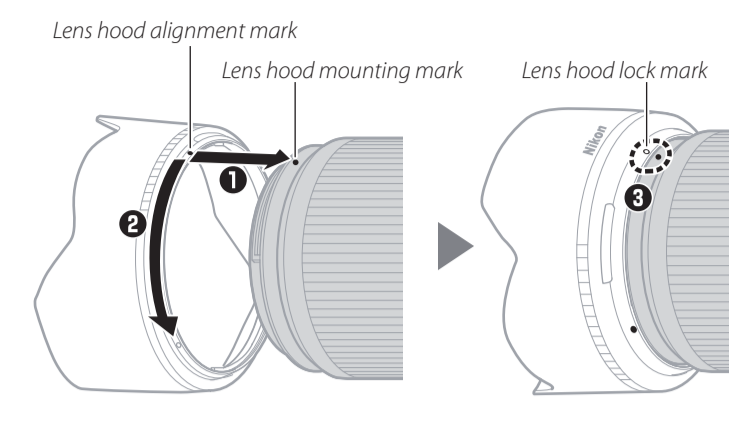
Se o câmera for ligada com o objetivo recolhido, será exibida uma mensagem de aviso. Estenda o objetivo antes de usar.

Per ritirare l'obiettivo, ruotare l'anello di zoom nella direzione opposta, fermandosi quando si è arrivati alla posizione della marca (●) sulla scala delle lunghezze focali.

C Attaching and Removing Optional Lens Hoods

Align the lens hood mounting mark with the lens hood alignment mark **(●)** and then rotate the hood **(●)** until the mounting mark is aligned with the lens hood lock mark **(●)**.

To remove the hood, reverse the above steps.



When attaching or removing the hood, hold it near the lens hood alignment mark **(●)** and avoid gripping the front of the hood too tightly. The hood can be reversed and mounted on the lens when not in use.

Using the Lens on Cameras with a Built-in Flash

Shadows will be visible in photos where the light from the built-in flash is obscured by the lens or lens hood. Remove the lens hood before shooting.

Vibration Reduction (VR)

The lens's on-board vibration reduction can be enabled or disabled using camera controls; see the camera manual for details. With [Normal] selected for the on-camera vibration reduction option, vibration reduction allows speeds up to 5.0 stops* slower than would otherwise be the case, expanding the range of shutter speeds available.

* Measured according to CIPA standards. Values for lenses that support FX format are measured on FX-format mirrorless cameras, those for DX lenses on DX-format mirrorless cameras. Values for zoom lenses are measured at maximum zoom.

Vibration Reduction

Due to the design of the vibration reduction system, the lens may rattle when shaken. This does not indicate a malfunction.

To reduce blur caused by tripod shake, select [Normal] or [Sport] for the on-camera vibration reduction option when the camera is mounted on a tripod. Note, however, that depending on the type of tripod and shooting conditions, there may be cases in which [Off] is the preferred option.

[Normal] or [Sport] is recommended when the camera is mounted on a monopod.

When the Lens is Attached

The focus position may change if you turn the camera off and then on again after focusing. If you have focused on a pre-selected location while waiting for your subject to appear, we recommend that you do not turn the camera off until the picture is taken.

Mount changes in focus on the FX-format camera.

Disables the [Image Dust Off] red eye photo option in the setup menu.

Moves shot with the lens mounted on a Z 6 and 1000 Z 120p, 1020 Z 1080 120p, or 1920 x 1080 slow-motion selected for [Frame size/frame rate] in the movie menu.

Disables the [Image Dust Off] red eye photo option in the setup menu.

Moves shot with the lens mounted on a Z 6 and 1000 Z 120p, 1020 Z 1080 120p, or 1920 x 1080 slow-motion selected for [Frame size/frame rate] in the movie menu.

Disables the [Image Dust Off] red eye photo option in the setup menu.

Moves shot with the lens mounted on a Z 6 and 1000 Z 120p, 1020 Z 1080 120p, or 1920 x 1080 slow-motion selected for [Frame size/frame rate] in the movie menu.

Disables the [Image Dust Off] red eye photo option in the setup menu.

Moves shot with the lens mounted on a Z 6 and 1000 Z 120p, 1020 Z 1080 120p, or 1920 x 1080 slow-motion selected for [Frame size/frame rate] in the movie menu.

Disables the [Image Dust Off] red eye photo option in the setup menu.

Moves shot with the lens mounted on a Z 6 and 1000 Z 120p, 1020 Z 1080 120p, or 1920 x 1080 slow-motion selected for [Frame size/frame rate] in the movie menu.

Disables the [Image Dust Off] red eye photo option in the setup menu.

Moves shot with the lens mounted on a Z 6 and 1000 Z 120p, 1020 Z 1080 120p, or 1920 x 1080 slow-motion selected for [Frame size/frame rate] in the movie menu.

Disables the [Image Dust Off] red eye photo option in the setup menu.

Moves shot with the lens mounted on a Z 6 and 1000 Z 120p, 1020 Z 1080 120p, or 1920 x 1080 slow-motion selected for [Frame size/frame rate] in the movie menu.

Disables the [Image Dust Off] red eye photo option in the setup menu.

Moves shot with the lens mounted on a Z 6 and 1000 Z 120p, 1020 Z 1080 120p, or 1920 x 1080 slow-motion selected for [Frame size/frame rate] in the movie menu.

Disables the [Image Dust Off] red eye photo option in the setup menu.

Moves shot with the lens mounted on a Z 6 and 1000 Z 120p, 1020 Z 1080 120p, or 1920 x 1080 slow-motion selected for [Frame size/frame rate] in the movie menu.

Disables the [Image Dust Off] red eye photo option in the setup menu.

Moves shot with the lens mounted on a Z 6 and 1000 Z 120p, 1020 Z 1080 120p, or 1920 x 1080 slow-motion selected for [Frame size/frame rate] in the movie menu.

Disables the [Image Dust Off] red eye photo option in the setup menu.

Moves shot with the lens mounted on a Z 6 and 1000 Z 120p, 1020 Z 1080 120p, or 1920 x 1080 slow-motion selected for [Frame size/frame rate] in the movie menu.

Disables the [Image Dust Off] red eye photo option in the setup menu.

Moves shot with the lens mounted on a Z 6 and 1000 Z 120p, 1020 Z 1080 120p, or 1920 x 1080 slow-motion selected for [Frame size/frame rate] in the movie menu.

Disables the [Image Dust Off] red eye photo option in the setup menu.

Moves shot with the lens mounted on a Z 6 and 1000 Z 120p, 1020 Z 1080 120p, or 1920 x 1080 slow-motion selected for [Frame size/frame rate] in the movie menu.

Disables the [Image Dust Off] red eye photo option in the setup menu.

Moves shot with the lens mounted on a Z 6 and 1000 Z 120p, 1020 Z 1080 120p, or 1920 x 1080 slow-motion selected for [Frame size/frame rate] in the movie menu.

Disables the [Image Dust Off] red eye photo option in the setup menu.

Moves shot with the lens mounted on a Z 6 and 1000 Z 120p, 1020 Z 1080 120p, or 1920 x 1080 slow-motion selected for [Frame size/frame rate] in the movie menu.

Disables the [Image Dust Off] red eye photo option in the setup menu.

Moves shot with the lens mounted on a Z 6 and 1000 Z 120p, 1020 Z 1080 120p, or 1920 x 1080 slow-motion selected for [Frame size/frame rate] in the movie menu.

Disables the [Image Dust Off] red eye photo option in the setup menu.

Moves shot with the lens mounted on a Z 6 and 1000 Z 120p, 1020 Z 1080 120p, or 1920 x 1080 slow-motion selected for [Frame size/frame rate] in the movie menu.

Disables the [Image Dust Off] red eye photo option in the setup menu.

Moves shot with the lens mounted on a Z 6 and 1000 Z 120p, 1020 Z 1080 120p, or 1920 x 1080 slow-motion selected for [Frame size/frame rate] in the movie menu.

Disables the [Image Dust Off] red eye photo option in the setup menu.

Moves shot with the lens mounted on a Z 6 and 1000 Z 120p, 1020 Z 1080 120p, or 1920 x 1080 slow-motion selected for [Frame size/frame rate] in the movie menu.

Disables the [Image Dust Off] red eye photo option in the setup menu.

Moves shot with the lens mounted on a Z 6 and 1000 Z 120p, 1020 Z 1080 120p, or 1920 x 1080 slow-motion selected for [Frame size/frame rate] in the movie menu.

Disables the [Image Dust Off] red eye photo option in the setup menu.

Moves shot with the lens mounted on a Z 6 and 1000 Z 120p, 1020 Z 1080 120p, or 1920 x 1080 slow-motion selected for [Frame size/frame rate] in the movie menu.

Disables the [Image Dust Off] red eye photo option in the setup menu.

Moves shot with the lens mounted on a Z 6 and 1000 Z 120p, 1020 Z 1080 120p, or 1920 x 1080 slow-motion selected for [Frame size/frame rate] in the movie menu.

Disables the [Image Dust Off] red eye photo option in the setup menu.

Moves shot with the lens mounted on a Z 6 and 1000 Z 120p, 1020 Z 1080 120p, or 1920 x 1080 slow-motion selected for [Frame size/frame rate] in the movie menu.

Disables the [Image Dust Off] red eye photo option in the setup menu.

Moves shot with the lens mounted on a Z 6 and 1000 Z 120p, 1020 Z 1080 120p, or 1920 x 1080 slow-motion selected for [Frame size/frame rate] in the movie menu.

Disables the [Image Dust Off] red eye photo option in the setup menu.

Moves shot with the lens mounted on a Z 6 and 1000 Z 120p, 1020 Z 1080

