

Nikon with **WARRANTY**

NIKORR

AF-S NIKKOR 200-500mm f/5.6E ED VR

En User's Manual (with Warranty)
De Benutzerhandbuch (inkl. Garantieheft)
Fr Manuel d'utilisation (avec garantie)
Nl Gebruikshandleiding (met garantie)
It Manuale d'uso (con garanzia)
Es Manual del usuario (con garantía)
Pa Manual do Utilizador (com Garantia)

Printed in China
SBF03(7E)
6MA3687E-03

NIKON CORPORATION

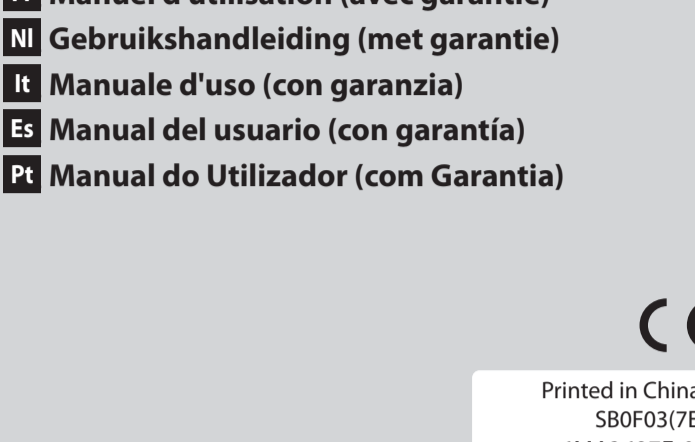


Figure 1/Abbildung 1/Figure 1

1 Nikon logo
2 Front lens cap
3 Zoom ring
4 Aperture ring
5 Focus ring
6 Focus lock button
7 Focus mode selector
8 Focus mode selector
9 Focus mode selector
10 Focus mode selector
11 Focus mode selector
12 Focus mode selector
13 Focus mode selector
14 Focus mode selector
15 Focus mode selector
16 Focus mode selector
17 Focus mode selector
18 Focus mode selector
19 Focus mode selector
20 Focus mode selector
21 Focus mode selector
22 Focus mode selector

23 Front lens cap
24 Front lens cap
25 Front lens cap
26 Front lens cap
27 Front lens cap
28 Front lens cap
29 Front lens cap
30 Front lens cap
31 Front lens cap
32 Front lens cap
33 Front lens cap
34 Front lens cap
35 Front lens cap
36 Front lens cap
37 Front lens cap
38 Front lens cap
39 Front lens cap
40 Front lens cap
41 Front lens cap
42 Front lens cap
43 Front lens cap
44 Front lens cap
45 Front lens cap
46 Front lens cap
47 Front lens cap
48 Front lens cap
49 Front lens cap
50 Front lens cap
51 Front lens cap
52 Front lens cap
53 Front lens cap
54 Front lens cap
55 Front lens cap
56 Front lens cap
57 Front lens cap
58 Front lens cap
59 Front lens cap
60 Front lens cap
61 Front lens cap
62 Front lens cap
63 Front lens cap
64 Front lens cap
65 Front lens cap
66 Front lens cap
67 Front lens cap
68 Front lens cap
69 Front lens cap
70 Front lens cap
71 Front lens cap
72 Front lens cap
73 Front lens cap
74 Front lens cap
75 Front lens cap
76 Front lens cap
77 Front lens cap
78 Front lens cap
79 Front lens cap
80 Front lens cap
81 Front lens cap
82 Front lens cap
83 Front lens cap
84 Front lens cap
85 Front lens cap
86 Front lens cap
87 Front lens cap
88 Front lens cap
89 Front lens cap
90 Front lens cap
91 Front lens cap
92 Front lens cap
93 Front lens cap
94 Front lens cap
95 Front lens cap
96 Front lens cap
97 Front lens cap
98 Front lens cap
99 Front lens cap
100 Front lens cap

Printed in China
SBF03(7E)
6MA3687E-03

NIKON CORPORATION

Nikon Europe Service Warranty Card

AF-S NIKKOR 200-500mm f/5.6E ED VR

Nikon Europe Service Warranty Card

Nikon Europe Service Warranty Card

Nikon Europe Service Warranty Card

Nikon Europe Service Warranty Card

Nikon Europe Service Warranty Card

Nikon Europe Service Warranty Card

Nikon Europe Service Warranty Card

Nikon Europe Service Warranty Card

Nikon Europe Service Warranty Card

Nikon Europe Service Warranty Card

Nikon Europe Service Warranty Card

Nikon Europe Service Warranty Card

Nikon Europe Service Warranty Card

Nikon Europe Service Warranty Card

Nikon Europe Service Warranty Card

Nikon Europe Service Warranty Card

Nikon Europe Service Warranty Card

Nikon Europe Service Warranty Card

Nikon Europe Service Warranty Card

Nikon Europe Service Warranty Card

Nikon Europe Service Warranty Card

Nikon Europe Service Warranty Card

Nikon Europe Service Warranty Card

Nikon Europe Service Warranty Card

Nikon Europe Service Warranty Card

Nikon Europe Service Warranty Card

Nikon Europe Service Warranty Card

Nikon Europe Service Warranty Card

Nikon Europe Service Warranty Card

Nikon Europe Service Warranty Card

Nikon Europe Service Warranty Card

Nikon Europe Service Warranty Card

Nikon Europe Service Warranty Card

Nikon Europe Service Warranty Card

Nikon Europe Service Warranty Card

Nikon Europe Service Warranty Card

Nikon Europe Service Warranty Card

Nikon Europe Service Warranty Card

Nikon Europe Service Warranty Card

Nikon Europe Service Warranty Card

Nikon Europe Service Warranty Card

Nikon Europe Service Warranty Card

Nikon Europe Service Warranty Card

Nikon Europe Service Warranty Card

Nikon Europe Service Warranty Card

Nikon Europe Service Warranty Card

Nikon Europe Service Warranty Card

Nikon Europe Service Warranty Card

Nikon Europe Service Warranty Card

Nikon Europe Service Warranty Card

Nikon Europe Service Warranty Card

Nikon Europe Service Warranty Card

Nikon Europe Service Warranty Card

Nikon Europe Service Warranty Card

Nikon Europe Service Warranty Card

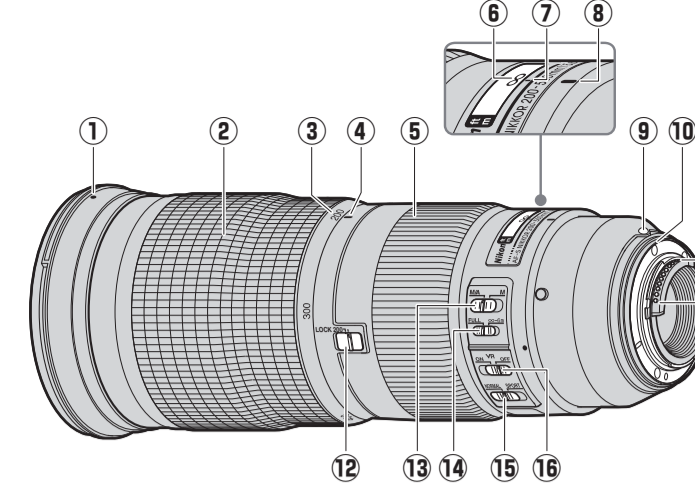


Figure 2/Abbildung 2/Figure 2

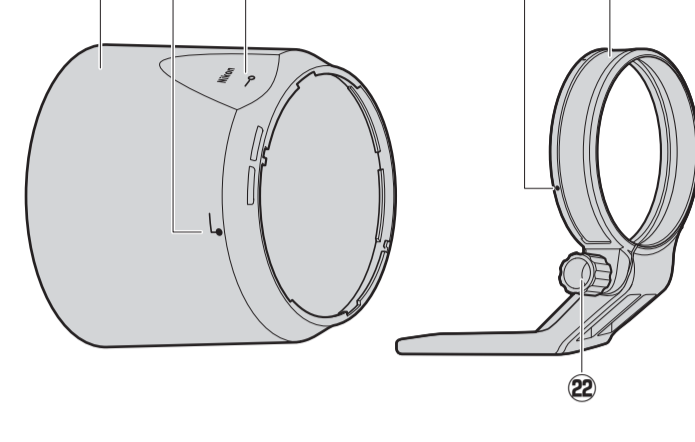


Figure 3/Abbildung 3/Figure 3

1 Nikon logo
2 Front lens cap
3 Zoom ring
4 Aperture ring
5 Focus ring
6 Focus lock button
7 Focus mode selector
8 Focus mode selector
9 Focus mode selector
10 Focus mode selector
11 Focus mode selector
12 Focus mode selector
13 Focus mode selector
14 Focus mode selector
15 Focus mode selector
16 Focus mode selector
17 Focus mode selector
18 Focus mode selector
19 Focus mode selector
20 Focus mode selector
21 Focus mode selector
22 Focus mode selector

23 Front lens cap
24 Front lens cap
25 Front lens cap
26 Front lens cap
27 Front lens cap
28 Front lens cap
29 Front lens cap
30 Front lens cap
31 Front lens cap
32 Front lens cap
33 Front lens cap
34 Front lens cap
35 Front lens cap
36 Front lens cap
37 Front lens cap
38 Front lens cap
39 Front lens cap
40 Front lens cap
41 Front lens cap
42 Front lens cap
43 Front lens cap
44 Front lens cap
45 Front lens cap
46 Front lens cap
47 Front lens cap
48 Front lens cap
49 Front lens cap
50 Front lens cap
51 Front lens cap
52 Front lens cap
53 Front lens cap
54 Front lens cap
55 Front lens cap
56 Front lens cap
57 Front lens cap
58 Front lens cap
59 Front lens cap
60 Front lens cap
61 Front lens cap
62 Front lens cap
63 Front lens cap
64 Front lens cap
65 Front lens cap
66 Front lens cap
67 Front lens cap
68 Front lens cap
69 Front lens cap
70 Front lens cap
71 Front lens cap
72 Front lens cap
73 Front lens cap
74 Front lens cap
75 Front lens cap
76 Front lens cap
77 Front lens cap
78 Front lens cap
79 Front lens cap
80 Front lens cap
81 Front lens cap
82 Front lens cap
83 Front lens cap
84 Front lens cap
85 Front lens cap
86 Front lens cap
87 Front lens cap
88 Front lens cap
89 Front lens cap
90 Front lens cap
91 Front lens cap
92 Front lens cap
93 Front lens cap
94 Front lens cap
95 Front lens cap
96 Front lens cap
97 Front lens cap
98 Front lens cap
99 Front lens cap
100 Front lens cap

Printed in China
SBF03(7E)
6MA3687E-03

NIKON CORPORATION

Nikon Europe Service Warranty Card

AF-S NIKKOR 200-500mm f/5.6E ED VR

Nikon Europe Service Warranty Card

Nikon Europe Service Warranty Card

Nikon Europe Service Warranty Card

Nikon Europe Service Warranty Card

Nikon Europe Service Warranty Card

Nikon Europe Service Warranty Card

Nikon Europe Service Warranty Card

Nikon Europe Service Warranty Card

Nikon Europe Service Warranty Card

Nikon Europe Service Warranty Card

Nikon Europe Service Warranty Card

Nikon Europe Service Warranty Card

Nikon Europe Service Warranty Card

Nikon Europe Service Warranty Card

Nikon Europe Service Warranty Card

Nikon Europe Service Warranty Card

Nikon Europe Service Warranty Card

Nikon Europe Service Warranty Card

Nikon Europe Service Warranty Card

Nikon Europe Service Warranty Card

Nikon Europe Service Warranty Card

Nikon Europe Service Warranty Card

Nikon Europe Service Warranty Card

Nikon Europe Service Warranty Card

Nikon Europe Service Warranty Card

Nikon Europe Service Warranty Card

Nikon Europe Service Warranty Card

Nikon Europe Service Warranty Card

Nikon Europe Service Warranty Card

Nikon Europe Service Warranty Card

Nikon Europe Service Warranty Card

Nikon Europe Service Warranty Card

Nikon Europe Service Warranty Card

Nikon Europe Service Warranty Card

Nikon Europe Service Warranty Card

Nikon Europe Service Warranty Card

Nikon Europe Service Warranty Card

Nikon Europe Service Warranty Card

Nikon Europe Service Warranty Card

Nikon Europe Service Warranty Card

Nikon Europe Service Warranty Card

Nikon Europe Service Warranty Card

Nikon Europe Service Warranty Card

Nikon Europe Service Warranty Card

Nikon Europe Service Warranty Card

Nikon Europe Service Warranty Card

Nikon Europe Service Warranty Card

Nikon Europe Service Warranty Card

Nikon Europe Service Warranty Card

Nikon Europe Service Warranty Card

Nikon Europe Service Warranty Card

Nikon Europe Service Warranty Card

Nikon Europe Service Warranty Card

Nikon Europe Service Warranty Card

Nikon Europe Service Warranty Card

• Attach the front and rear caps before placing the lens in its flexible pouch.

• If the lens will not be used for an extended period, store it in a cool, dry location to prevent mold and rust. Do not store in direct sunlight or near naphtha or camphor mothballs.

• Keep the lens dry. Rusting of the internal mechanism can cause irreparable damage.

• Leaving the lens in extremely hot locations could damage or warp parts made from reinforced plastic.

■ Supplied Accessories

• 95 mm snap-on Front Lens Cap LC-95
• Rear lens cap LF-4
• Bayonet Hood HB-71
• Lens Case CL-1434

■ Compatible Accessories

• 95 mm screw-on filters
• AF-IFAF-S Teleconverters TC-14E/TC-14E II/TC-14E III/TC-17E II/TC-20E/TC-20E II/TC-20E III

Autofocus is available only with cameras that offer f/8 support.

■ Specifications

Type Type E AF-S lens with built-in CPU and F mount

Focal length 200–500 mm

Lens construction 19 elements in 12 groups (including 3 ED elements)

Angle of view • Nikon FX-format DX-SLR cameras: 12° 20'–5° 00'
• Nikon DX-format SLR cameras: 8° 00'–3° 10'

Focal length scale Graduated in millimeters (200, 300, 400, 500)

Distance information Output to camera

Zoom Manual zoom using independent zoom ring

Focusing Nikon Internal Focusing (IF) System with autofocus controlled by Silent Wave Motor and separate focus ring for manual focus

Vibration reduction Lens shift using voice coil motors (VCM)

Focus distance indicator 2.2 m ∞

Minimum focus distance 2.2 m (7.22 ft) from focal plane

Diaphragm blades 9 (rounded diaphragm opening)

Aperture range Automatic electronic aperture control

Aperture range f/5.6–32

Maximum aperture Full aperture

Filter-attachment size 95 mm (Ø = 1.0 mm)

Dimensions Approx. 108 mm maximum diameter × 267.5 mm (distance from camera lens mount flange)

Weight Approx. 2090 g (5 lb 11.2 oz), including tripod collar
Approx. 2090 g (4 lb 9.8 oz) without tripod collar

Nikon reserves the right to change the specifications of the hardware described in this manual at any time and without prior notice.

■ Vibration Reduction (VR)

Vibration reduction (VR) reduces blur caused by camera shake, allowing shutter speeds up to 4.5 stops slower than would otherwise be the case, increasing the range of shutter speeds available. The effects of VR on shutter speed are dependent on setting in NORMAL mode according to Camera and Imaging Products Association (CIPA) standards; FX-format lenses are measured using FX-format digital cameras, DX-format lenses using DX-format cameras. Zoom lenses are measured at maximum zoom.

■ Using the Vibration Reduction Switch

• **Select ON** to enable vibration reduction. Vibration reduction is activated when the shutter-release button is pressed halfway, reducing the effects of camera shake for improved framing and focus.

• **Select OFF** to turn vibration reduction off.

■ Using the Vibration Reduction Mode Switch

• **Select NORMAL** for enhanced vibration reduction when photographing stationary subjects.

• **Select SPORT** for photographing athletes and other subjects that are moving rapidly and unpredictably.

■ Using Vibration Reduction: Notes

• When using Vibration Reduction, press the shutter-release button halfway and wait for the image in the viewfinder to stabilize before pressing the shutter-release button the rest of the way down.

• When Vibration reduction is active, the image in the viewfinder may be blurred and may exhibit digital moiré.

• **SPORT** is recommended for panning shots, although **NORMAL** is also supported.

• In **NORMAL** and **SPORT** modes, vibration reduction applies only to motion that is not part of an AF mode (camera is panned horizontally, for example, vibration reduction will be applied only to vertical shake).

• Do not turn the camera off or remove the lens while vibration reduction is in effect. If power to the lens is cut while vibration reduction is on, the lens may rattle when shaken. This is not a malfunction, and can be corrected by re-attaching the lens and turning the camera on.

• If the camera is equipped with a built-in flash, vibration reduction will be disabled while the flash charges.

• **NORMAL** and **SPORT** vibration reduction can reduce blur when the camera is mounted on a tripod. **OFF** may however produce better results in some cases (see the section on camera vibration).

• **NORMAL** and **SPORT** are recommended if the camera is mounted on a monopod.

The following apply only to lenses in European countries:

• This product is designed for separate collection at an appropriate collection point. Do not dispose of as household waste.

• Separate collection and recycling helps conserve natural resources and prevent negative consequences for human health and the environment that might result from incorrect disposal.

• For more information, contact the retailer or the local authorities in charge of waste management.

■ Parts of the Lens (Figure 1)

① Lens hood mounting mark
② Zoom ring
③ Zoom mode switch
④ Focus lock switch
⑤ Focal length mark
⑥ Focal length mark
⑦ Vibration reduction switch
⑧ Focus ring
⑨ Focus distance indicator
⑩ Focus distance mark
⑪ Lens hood
⑫ Lens hood alignment mark
⑬ Lens rotation index
⑭ Lens mounting mark
⑮ Rubber lens-mount gasket
⑯ CPU contacts

■ Compatibility

This lens can be used with D4-series, D3-series, DX, D810-series, D800-series, D750, D700, D610, D600, D300-series, D7200, D7100, D600, D5500, D3500, D5200, D3100, D5000, D3300, D3200, and D3100 cameras. For up-to-date information on compatible cameras, see our latest catalog or visit the Nikon website for your area.

■ Focus

Supported focus modes are shown in the following table (for information on camera focus modes, see the camera manual).

Camera focus mode	M/A	M
AF	Autofocus with manual override	Manual focus with electronic rangefinder
MF	Manual focus	

M/A (Autofocus with Manual Override)

To focus using autofocus with manual override (M/A):

1. Slide the lens focus-mode switch to M/A.

2. Focus.

If desired, autofocus can be over-riden by rotating the lens focus ring while the shutter-release button is pressed halfway (or, if the camera is equipped with an AF-ON button, while the AF-ON button is pressed). To refocus using autofocus, press the shutter-release button halfway or press the AF-ON button again.

The Focus Limit Switch

This switch determines the focus distance limits for autofocus.

■ FULL Select this option to use the entire focus range.

• **∞–6 m** Your subject will always be at distance of at least 6 m (19.7 ft). Select this option for fast focusing.

■ Zoom and Depth of Field

Before focusing, rotate the zoom ring to adjust the focal length and frame the photograph. If the camera offers depth-of-field preview (stop down), depth of field can be previewed in

