

Nikon with **WARRANTY**

NIKKOR

AF-S NIKKOR 18-35mm f/3.5-4.5G ED

En User's Manual (with Warranty)

De Benutzerhandbuch (inkl. Garantiebeleg)

Fa Manuel d'utilisation (avec garantie)

Nl Gebruikshandleiding (met garantie)

It Manuale d'uso (con garanzia)

Es Manual del usuario (con garantía)

Pt Manual do Utilizador (com Garantia)



Printed in Japan
S80F04(7E)
7MAA887E-04

NIKON CORPORATION

Nikon Europe Service Warranty Card

Model name/Product/Modell name/Modèle/Modellname
AF-S NIKKOR
18-35mm f/3.5-4.5G ED

Serial No./Seriennummer/Numero do produto/Serie no./Seriennummer
P/N: 3508
M/C: 4000
M/C: 4000

Purchase date/Aankoopdatum/Date d'achat/Anschaffungsdatum/Date de compra

Name and address of customer/Name und Adresse des Kunden/Nombre et adresse du client/Naam en adres van de klant/Nome e indirizzo del Cliente/Nombre y dirección del cliente/Nome e endereço do cliente

Distributors/Vertriebsstellen/Concessionaires/Revendedores/Provedores/Provedores

Distributors/Vertriebsstellen/Concessionaires/Revendedores/Provedores/Provedores

Distributors/Vertriebsstellen/Concessionaires/Revendedores/Provedores/Provedores

Distributors/Vertriebsstellen/Concessionaires/Revendedores/Provedores/Provedores

Distributors/Vertriebsstellen/Concessionaires/Revendedores/Provedores/Provedores

Distributors/Vertriebsstellen/Concessionaires/Revendedores/Provedores/Provedores

Distributors/Vertriebsstellen/Concessionaires/Revendedores/Provedores/Provedores

Distributors/Vertriebsstellen/Concessionaires/Revendedores/Provedores/Provedores

Distributors/Vertriebsstellen/Concessionaires/Revendedores/Provedores/Provedores

Distributors/Vertriebsstellen/Concessionaires/Revendedores/Provedores/Provedores

Distributors/Vertriebsstellen/Concessionaires/Revendedores/Provedores/Provedores

Distributors/Vertriebsstellen/Concessionaires/Revendedores/Provedores/Provedores

Distributors/Vertriebsstellen/Concessionaires/Revendedores/Provedores/Provedores

Distributors/Vertriebsstellen/Concessionaires/Revendedores/Provedores/Provedores

Distributors/Vertriebsstellen/Concessionaires/Revendedores/Provedores/Provedores

Distributors/Vertriebsstellen/Concessionaires/Revendedores/Provedores/Provedores

Distributors/Vertriebsstellen/Concessionaires/Revendedores/Provedores/Provedores

Distributors/Vertriebsstellen/Concessionaires/Revendedores/Provedores/Provedores

Distributors/Vertriebsstellen/Concessionaires/Revendedores/Provedores/Provedores

Distributors/Vertriebsstellen/Concessionaires/Revendedores/Provedores/Provedores

Distributors/Vertriebsstellen/Concessionaires/Revendedores/Provedores/Provedores

Distributors/Vertriebsstellen/Concessionaires/Revendedores/Provedores/Provedores

Distributors/Vertriebsstellen/Concessionaires/Revendedores/Provedores/Provedores

Distributors/Vertriebsstellen/Concessionaires/Revendedores/Provedores/Provedores

Distributors/Vertriebsstellen/Concessionaires/Revendedores/Provedores/Provedores

Distributors/Vertriebsstellen/Concessionaires/Revendedores/Provedores/Provedores

Distributors/Vertriebsstellen/Concessionaires/Revendedores/Provedores/Provedores

Distributors/Vertriebsstellen/Concessionaires/Revendedores/Provedores/Provedores

Distributors/Vertriebsstellen/Concessionaires/Revendedores/Provedores/Provedores

Distributors/Vertriebsstellen/Concessionaires/Revendedores/Provedores/Provedores

Distributors/Vertriebsstellen/Concessionaires/Revendedores/Provedores/Provedores

Distributors/Vertriebsstellen/Concessionaires/Revendedores/Provedores/Provedores

Distributors/Vertriebsstellen/Concessionaires/Revendedores/Provedores/Provedores

Distributors/Vertriebsstellen/Concessionaires/Revendedores/Provedores/Provedores

Distributors/Vertriebsstellen/Concessionaires/Revendedores/Provedores/Provedores

Distributors/Vertriebsstellen/Concessionaires/Revendedores/Provedores/Provedores

Distributors/Vertriebsstellen/Concessionaires/Revendedores/Provedores/Provedores

Distributors/Vertriebsstellen/Concessionaires/Revendedores/Provedores/Provedores

Distributors/Vertriebsstellen/Concessionaires/Revendedores/Provedores/Provedores

Distributors/Vertriebsstellen/Concessionaires/Revendedores/Provedores/Provedores

Distributors/Vertriebsstellen/Concessionaires/Revendedores/Provedores/Provedores

Distributors/Vertriebsstellen/Concessionaires/Revendedores/Provedores/Provedores

Distributors/Vertriebsstellen/Concessionaires/Revendedores/Provedores/Provedores

Distributors/Vertriebsstellen/Concessionaires/Revendedores/Provedores/Provedores

Distributors/Vertriebsstellen/Concessionaires/Revendedores/Provedores/Provedores

Distributors/Vertriebsstellen/Concessionaires/Revendedores/Provedores/Provedores

Distributors/Vertriebsstellen/Concessionaires/Revendedores/Provedores/Provedores

Distributors/Vertriebsstellen/Concessionaires/Revendedores/Provedores/Provedores

Distributors/Vertriebsstellen/Concessionaires/Revendedores/Provedores/Provedores

Distributors/Vertriebsstellen/Concessionaires/Revendedores/Provedores/Provedores

Distributors/Vertriebsstellen/Concessionaires/Revendedores/Provedores/Provedores

Distributors/Vertriebsstellen/Concessionaires/Revendedores/Provedores/Provedores

Distributors/Vertriebsstellen/Concessionaires/Revendedores/Provedores/Provedores

Distributors/Vertriebsstellen/Concessionaires/Revendedores/Provedores/Provedores

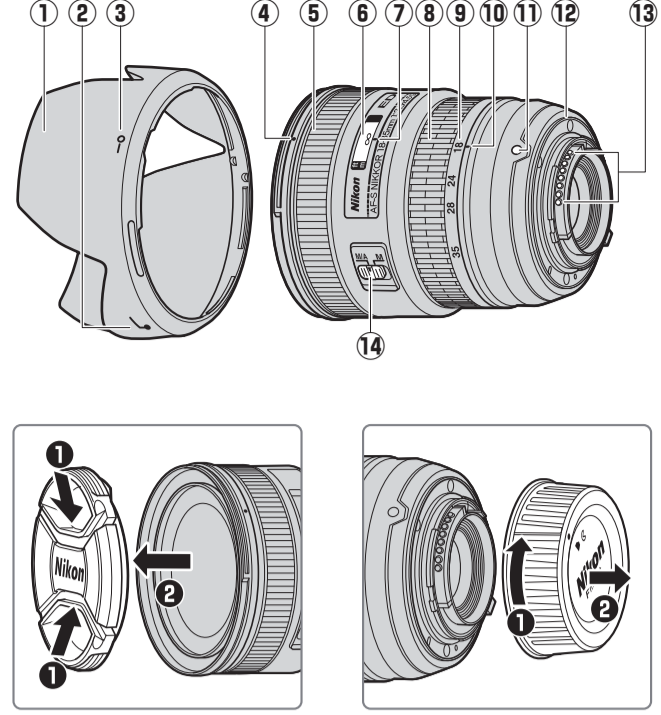
Distributors/Vertriebsstellen/Concessionaires/Revendedores/Provedores/Provedores

Distributors/Vertriebsstellen/Concessionaires/Revendedores/Provedores/Provedores

Distributors/Vertriebsstellen/Concessionaires/Revendedores/Provedores/Provedores

Distributors/Vertriebsstellen/Concessionaires/Revendedores/Provedores/Provedores

Distributors/Vertriebsstellen/Concessionaires/Revendedores/Provedores/Provedores



Figure/Abbildung/Figure

Printed in Japan
S80F04(7E)
7MAA887E-04

Distributors/Vertriebsstellen/Concessionaires/Revendedores/Provedores/Provedores

Distributors/Vertriebsstellen/Concessionaires/Revendedores/Provedores/Provedores

Distributors/Vertriebsstellen/Concessionaires/Revendedores/Provedores/Provedores

Distributors/Vertriebsstellen/Concessionaires/Revendedores/Provedores/Provedores

Distributors/Vertriebsstellen/Concessionaires/Revendedores/Provedores/Provedores

Distributors/Vertriebsstellen/Concessionaires/Revendedores/Provedores/Provedores

Distributors/Vertriebsstellen/Concessionaires/Revendedores/Provedores/Provedores

Distributors/Vertriebsstellen/Concessionaires/Revendedores/Provedores/Provedores

Distributors/Vertriebsstellen/Concessionaires/Revendedores/Provedores/Provedores

Distributors/Vertriebsstellen/Concessionaires/Revendedores/Provedores/Provedores

Distributors/Vertriebsstellen/Concessionaires/Revendedores/Provedores/Provedores

Distributors/Vertriebsstellen/Concessionaires/Revendedores/Provedores/Provedores

Distributors/Vertriebsstellen/Concessionaires/Revendedores/Provedores/Provedores

Distributors/Vertriebsstellen/Concessionaires/Revendedores/Provedores/Provedores

Distributors/Vertriebsstellen/Concessionaires/Revendedores/Provedores/Provedores

Distributors/Vertriebsstellen/Concessionaires/Revendedores/Provedores/Provedores

Distributors/Vertriebsstellen/Concessionaires/Revendedores/Provedores/Provedores

Distributors/Vertriebsstellen/Concessionaires/Revendedores/Provedores/Provedores

Distributors/Vertriebsstellen/Concessionaires/Revendedores/Provedores/Provedores

Distributors/Vertriebsstellen/Concessionaires/Revendedores/Provedores/Provedores

Distributors/Vertriebsstellen/Concessionaires/Revendedores/Provedores/Provedores

Distributors/Vertriebsstellen/Concessionaires/Revendedores/Provedores/Provedores

Distributors/Vertriebsstellen/Concessionaires/Revendedores/Provedores/Provedores

Distributors/Vertriebsstellen/Concessionaires/Revendedores/Provedores/Provedores

Distributors/Vertriebsstellen/Concessionaires/Revendedores/Provedores/Provedores

Distributors/Vertriebsstellen/Concessionaires/Revendedores/Provedores/Provedores

Distributors/Vertriebsstellen/Concessionaires/Revendedores/Provedores/Provedores

Distributors/Vertriebsstellen/Concessionaires/Revendedores/Provedores/Provedores

Distributors/Vertriebsstellen/Concessionaires/Revendedores/Provedores/Provedores

Distributors/Vertriebsstellen/Concessionaires/Revendedores/Provedores/Provedores

Distributors/Vertriebsstellen/Concessionaires/Revendedores/Provedores/Provedores

Distributors/Vertriebsstellen/Concessionaires/Revendedores/Provedores/Provedores

Distributors/Vertriebsstellen/Concessionaires/Revendedores/Provedores/Provedores

Distributors/Vertriebsstellen/Concessionaires/Revendedores/Provedores/Provedores

Distributors/Vertriebsstellen/Concessionaires/Revendedores/Provedores/Provedores

Distributors/Vertriebsstellen/Concessionaires/Revendedores/Provedores/Provedores

Distributors/Vertriebsstellen/Concessionaires/Revendedores/Provedores/Provedores

Distributors/Vertriebsstellen/Concessionaires/Revendedores/Provedores/Provedores

Distributors/Vertriebsstellen/Concessionaires/Revendedores/Provedores/Provedores

Distributors/Vertriebsstellen/Concessionaires/Revendedores/Provedores/Provedores

Distributors/Vertriebsstellen/Concessionaires/Revendedores/Provedores/Provedores

Distributors/Vertriebsstellen/Concessionaires/Revendedores/Provedores/Provedores

Distributors/Vertriebsstellen/Concessionaires/Revendedores/Provedores/Provedores

Distributors/Vertriebsstellen/Concessionaires/Revendedores/Provedores/Provedores

Distributors/Vertriebsstellen/Concessionaires/Revendedores/Provedores/Provedores

Distributors/Vertriebsstellen/Concessionaires/Revendedores/Provedores/Provedores

Distributors/Vertriebsstellen/Concessionaires/Revendedores/Provedores/Provedores

Distributors/Vertriebsstellen/Concessionaires/Revendedores/Provedores/Provedores

Distributors/Vertriebsstellen/Concessionaires/Revendedores/Provedores/Provedores

Distributors/Vertriebsstellen/Concessionaires/Revendedores/Provedores/Provedores

Distributors/Vertriebsstellen/Concessionaires/Revendedores/Provedores/Provedores

Distributors/Vertriebsstellen/Concessionaires/Revendedores/Provedores/Provedores

Distributors/Vertriebsstellen/Concessionaires/Revendedores/Provedores/Provedores

Distributors/Vertriebsstellen/Concessionaires/Revendedores/Provedores/Provedores

Distributors/Vertriebsstellen/Concessionaires/Revendedores/Provedores/Provedores

Distributors/Vertriebsstellen/Concessionaires/Revendedores/Provedores/Provedores

Distributors/Vertriebsstellen/Concessionaires/Revendedores/Provedores/Provedores

Distributors/Vertriebsstellen/Concessionaires/Revendedores/Provedores/Provedores

Distributors/Vertriebsstellen/Concessionaires/Revendedores/Provedores/Provedores

Distributors/Vertriebsstellen/Concessionaires/Revendedores/Provedores/Provedores

Distributors/Vertriebsstellen/Concessionaires/Revendedores/Provedores/Provedores

Distributors/Vertriebsstellen/Concessionaires/Revendedores/Provedores/Provedores

Distributors/Vertriebsstellen/Concessionaires/Revendedores/Provedores/Provedores

Distributors/Vertriebsstellen/Concessionaires/Revendedores/Provedores/Provedores

Distributors/Vertriebsstellen/Concessionaires/Revendedores/Provedores/Provedores

Distributors/Vertriebsstellen/Concessionaires/Revendedores/Provedores/Provedores

Distributors/Vertriebsstellen/Concessionaires/Revendedores/Provedores/Provedores

English

Thank you for your purchase of a NIKKOR lens. Before using this product, please carefully read both these instructions and the camera manual.

Note When mounted on a DX-format digital single-lens reflex camera such as the D7000 or 440s in the D3000 series, this lens has an angle of view of 76°–44° and a focal length equivalent to 27–52.5 mm (35 mm format).

For My Safety

▲ DANGERS

Do not disassemble. Touching the internal parts of the camera or lens could result in injury. In the case of disassembly, the procedure should be explained only by a qualified technician. Should the product break open as the result of a fall or other accident, remove the camera battery and/or disconnect the AC adapter and then take the product to a Nikon-authorized service center for inspection.

Turn the camera off immediately in the event of malfunction. Should you notice smoke or an unusual smell coming from the equipment, immediately unplug the AC adapter and remove the camera battery, taking care to avoid burns. Continued operation could result in fire or injury. After removing the battery, take the equipment to a Nikon-authorized service center for inspection.

Do not use in the presence of flammable gases. Operating electronic equipment in the presence of flammable gases could result in fire or explosion or fire.

Do not look at the sun through the lens or the camera viewfinder. Viewing the sun or other bright light source through the lens or viewfinder could cause permanent visual impairment.

Keep out of reach of children. Failure to observe this precaution could result in injury.

Observe the following precautions when handling the lens and camera

• Keep the lens and camera dry. Failure to observe this precaution could result in fire or electric shock.

• Do not handle the lens or camera with wet hands. Failure to observe this precaution could result in electric shock.

• **Observe the following precautions when handling the lens and camera**

• Keep the lens and camera dry. Failure to observe this precaution could result in fire or electric shock.

• Do not handle the lens or camera with wet hands. Failure to observe this precaution could result in electric shock.

• **Do not use in the presence of flammable gases.** Operating electronic equipment in the presence of flammable gases could result in fire or explosion or fire.

• **Do not look at the sun through the lens or the camera viewfinder.** Viewing the sun or other bright light source through the lens or viewfinder could cause permanent visual impairment.

• **Keep out of reach of children.** Failure to observe this precaution could result in injury.

• **Do not leave the lens where it will be exposed to extremely high temperatures, such as in an enclosed automobile or in direct sunlight.** Failure to observe this precaution could adversely affect the lens material parts, causing fire.

Notice for Customers in Europe

This symbol indicates that electrical and electronic equipment is intended to be collected separately.

The following apply only to users in European countries:

This product is designated for separate collection at an appropriate collection point. Do not dispose of as household waste.

• Separate collection and recycling helps conserve natural resources and prevent negative consequences for human health and the environment that might result from incorrect disposal.

• For more information, contact the retailer or the local authorities in charge of waste management.

Parts of the Lens (Figure)

1 Lens hood

2 Lens hood mounting mark

3 Lens hood lock mark

4 Focus ring

5 Focus distance indicator

6 Focus distance mark

7 Zoom ring

8 Focal length scale

9 Lens mounting mark

10 Lens mounting mark

11 Rubber lens-mount gasket

12 CPU contacts

13 Focus distance mark

14 Focus mode switch

Compatibility

Check marks (✓) indicate supported features, dashes (–) features that are not supported. Some limitations may apply; see the camera manual for details.

Aperture

Aperture is adjusted using camera controls.

Zoom and Maximum Aperture

Changes to zoom will alter the maximum aperture by up to ½ EV. The camera however automatically takes this into account when setting exposure, and no modifications to camera settings are required following adjustments to zoom.

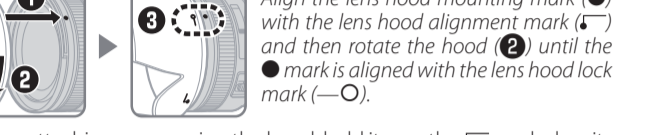
■ Built-in Flash Units

When using the built-in flash on cameras equipped with a built-in flash unit, shoot at ranges of 0.6 m (2 ft) or more and remove the lens hood to prevent vignetting (shadows created where the end of the lens obscures the built-in flash).

Camera	Focal length	Use at ranges of
D600 (FX format)	24 mm	1.5 m or ft or more
	28 mm or more	No restrictions
D700 (FX format)/D610 (FX format)	28 mm	1.5 m or ft or more
	35 mm	No restrictions
D800 (FX format)/D810 (FX format)	24 mm	1.0 m or 3 ft 4 in. or more
D7000 (FX format)/D9000 (FX format)/D7100 (FX format)/D5100/D5100	28 mm or more	No restrictions
	18 mm	1.5 m or ft or more
D300s	24 mm or more	No restrictions
	18 mm	2.0 m or 6 ft 7 in. or more
D100	24 mm or more	No restrictions
	18 mm	1.5 m or ft or more
	24 mm	1.5 m or ft or more
D7000	24 mm	1.0 m or 3 ft 4 in. or more
	28 mm or more	No restrictions
	24 mm	1.5 m or ft or more
D5500/D5300/D3300	28 mm	1.0 m or 3 ft 4 in. or more
	35 mm	No restrictions

■ The Lens Hood

The lens hood blocks the lens and block stray light that would otherwise cause flare or ghosting.



When attaching or removing the hood, hold it near the "C" symbol on the hood and avoid gripping it too tightly. Vignetting may occur if the hood is not correctly attached.

The hood can be reversed and mounted on the lens when not in use.

■ Focusing

The following screens support a variety of focusing screens for use in different situations.

Camera	Screen	A	B	C	E	EC	E	G1	G2	G3	G4	J	L	M	U
F6		●	●	●	●	●	●	●	●	●	●	●	●	●	●
F5+Df-30		●	●	●	●	●	●	●	●	●	●	●	●	●	●
F5+DA-30	(+1.0)	●	●	●	●	●	●	●	(+0.5)	●	●	●	●	(+0.5)	●

● Recommended.

○ Vignetting visible in viewfinder (photographs are not affected).

— Not compatible with camera.

(+) Filter not compatible with other screens for Custom Setting 66 ("Screen comp")

When adjusting exposure compensation for the F6, note that with screens other than B or E, "Other screens" must be selected even when the value for exposure compensation is 0. Exposure compensation for the F5 can be adjusted using Custom Setting 18; see the camera manual for details.

Imply Opt. Not valid to use with this lens. Make sure the CPU screens can however be used for macro photography and close-up photography at magnifications of 1:1 or higher.

Note: The F5 supports matrix metering with A, B, E, EC, BE-C, and L and focusing screens only.

■ Lens Care

