

Nikon

NIKKOR

NIKKOR Z 28-75mm f/2.8

En Reference Guide

- Read this document thoroughly before using the product.
- To ensure proper use of the product, be sure to read “For Your Safety” (page 3).
- After reading this document, keep it readily accessible for future reference.



NIKON CORPORATION

© 2022 Nikon Corporation

CT1L01(11)
7MMA9011-01

Before using this product, please read these instructions carefully. You will also need to consult the documentation provided with the camera.

- This lens is intended exclusively for use with mirrorless cameras featuring a Nikon Z mount.
- Update the camera firmware to the latest version. With earlier versions, the camera may fail to detect the lens correctly and some features may not be available. The latest version of the camera firmware can be downloaded from the Nikon Download Center at the URL below.


<https://downloadcenter.nikonimglib.com/>


No reproduction in any form of this document, in whole or in part (except for brief quotation in critical articles or reviews), may be made without written authorization from NIKON CORPORATION.

For Your Safety

To prevent damage to property or injury to yourself or to others, read "For Your Safety" in its entirety before using this product.

After reading these safety instructions, keep them readily accessible for future reference.

 **WARNING:** Failure to observe the precautions marked with this icon could result in death or severe injury.

 **CAUTION:** Failure to observe the precautions marked with this icon could result in injury or property damage.

WARNING

- **Do not disassemble or modify this product.**

Do not touch internal parts that become exposed as the result of a fall or other accident.

Failure to observe these precautions could result in electric shock or other injury.

- **Should you notice any abnormalities such as the product producing smoke, heat, or unusual odors, immediately disconnect the camera power source.**

Continued operation could result in fire, burns or other injury.

- **Keep dry.**

Do not handle with wet hands.

Failure to observe these precautions could result in fire or electric shock.

- **Do not use this product in the presence of flammable dust or gas such as propane, gasoline or aerosols.**

Failure to observe this precaution could result in explosion or fire.

- **Do not directly view the sun or other bright light source through the lens.**

Failure to observe this precaution could result in visual impairment.

WARNING

- **Keep this product out of reach of children.**

Failure to observe this precaution could result in injury or product malfunction. In addition, note that small parts constitute a choking hazard. Should a child swallow any part of this product, seek immediate medical attention.

- **Do not entangle, wrap or twist the straps around your neck.**

Failure to observe this precaution could result in accidents.

- **Do not handle with bare hands in locations exposed to extremely high or low temperatures.**

Failure to observe this precaution could result in burns or frostbite.

CAUTION

- **Do not leave the lens pointed at the sun or other strong light sources.**

Light focused by the lens could cause fire or damage to product's internal parts. When shooting backlit subjects, keep the sun well out of the frame. Sunlight focused into the camera when the sun is close to the frame could cause fire.

- **Do not leave the product where it will be exposed to extremely high temperatures, for an extended period such as in an enclosed automobile or in direct sunlight.**

Failure to observe this precaution could result in fire or product malfunction.

- **Do not transport cameras or lenses with tripods or similar accessories attached.**

Failure to observe this precaution could result in injury or product malfunction.

Notices for Customers in the U.S.A.

This device complies with part 15 of the FCC Rules. Operation is subject to the following two conditions: (1) this device may not cause harmful interference, and (2) this device must accept any interference received, including interference that may cause undesired operation.

Federal Communications Commission (FCC) Radio Frequency Interference Statement

This equipment has been tested and found to comply with the limits for a Class B digital device, pursuant to Part 15 of the FCC rules. These limits are designed to provide reasonable protection against harmful interference in a residential installation. This equipment generates, uses, and can radiate radio frequency energy and, if not installed and used in accordance with the instructions, may cause harmful interference to radio communications. However, there is no guarantee that interference will not occur in a particular installation. If this equipment does cause harmful interference to radio or television reception, which can be determined by turning the equipment off and on, the user is encouraged to try to correct the interference by one or more of the following measures:

- Reorient or relocate the receiving antenna.
- Increase the separation between the equipment and receiver.
- Connect the equipment into an outlet on a circuit different from that to which the receiver is connected.
- Consult the dealer or an experienced radio/television technician for help.

CAUTIONS

Modifications

The FCC requires the user to be notified that any changes or modifications made to this device that are not expressly approved by Nikon Corporation may void the user's authority to operate the equipment.

Nikon Inc., 1300 Walt Whitman Road,
Melville, New York 11747-3064, U.S.A.
Tel.: 631-547-4200

Notice for Customers in Canada

CAN ICES-3 B / NMB-3 B

Notice for Customers in Europe

This symbol indicates that electrical and electronic equipment is to be collected separately.



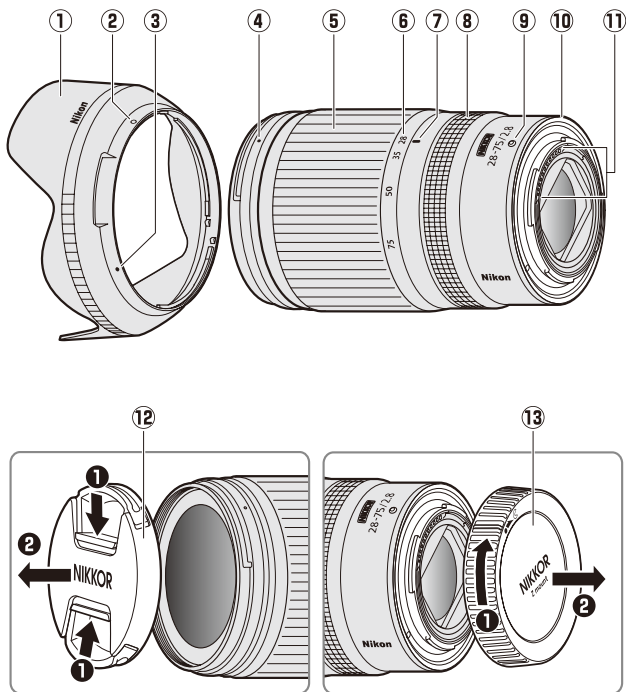
The following apply only to users in European countries:



- This product is designated for separate collection at an appropriate collection point. Do not dispose of as household waste.
- Separate collection and recycling helps conserve natural resources and prevent negative consequences for human health and the environment that might result from incorrect disposal.
- For more information, contact the retailer or the local authorities in charge of waste management.

Using the Lens

Parts of the Lens: Names and Functions

See below for the names and functions of the parts of the lens.



① Lens hood	Lens hoods block stray light that would otherwise cause flare or ghosting. They also serve to protect the lens.	
② Lens hood lock mark	Use when attaching the lens hood.	See B ( 11)
③ Lens hood alignment mark		
④ Lens hood mounting mark		
⑤ Zoom ring	Rotate to zoom in or out.	—
⑥ Focal length scale	Determine the approximate focal length when zooming the lens in or out.	—
⑦ Focal length mark		
⑧ Control ring	Autofocus mode selected: Rotate the ring to adjust a setting such as [Focus (M/A)] or [Aperture] assigned using the camera. For more information, see the description of [Custom control assignment] , [Custom controls] , or [Custom controls (shooting)] in the documentation provided with the camera.	—
	Manual focus mode selected: Rotate the ring to focus.	
⑨ Lens mounting mark	Use when mounting the lens on the camera.	See A ( 10)

<p>⑩ Rubber lens-mount gasket</p>	<p>Helps prevent the ingress of water droplets or dust along the surfaces where the lens and camera meet when the lens is mounted on the camera.* * There is no guarantee that the gasket is completely proof against the ingress of water droplets or dust in all circumstances.</p>	<p>—</p>
<p>⑪ CPU contacts</p>	<p>Used to transfer data to and from the camera.</p>	<p>—</p>
<p>⑫ Lens cap (front cap)</p>	<p>—</p>	<p>—</p>
<p>⑬ Lens cap (rear cap)</p>	<p>—</p>	<p>—</p>

A Attachment and Removal

Attaching the Lens

- 1 Turn the camera off, remove the body cap, and detach the rear lens cap.
- 2 Position the lens on the camera body, keeping the mounting mark on the lens aligned with the mounting mark on the camera body, and then rotate the lens counterclockwise until it clicks into place.

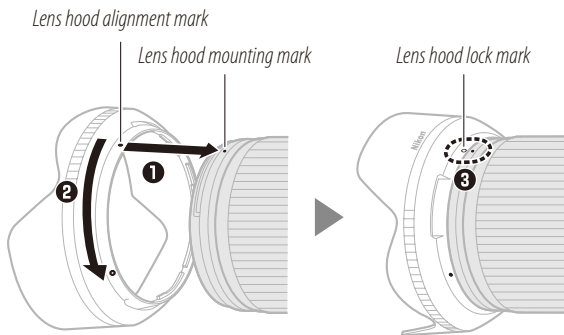
Removing the Lens

- 1 Turn the camera off.
- 2 Press and hold the lens release button while turning the lens clockwise.

B Attaching and Removing the Lens Hood

Align the lens hood mounting mark with the lens hood alignment mark (1) and then rotate the hood (2) until the mounting mark is aligned with the lens hood lock mark (3).

To remove the hood, reverse the above steps.



When attaching or removing the hood, hold it near the lens hood alignment mark (●) and avoid gripping the front of the hood too tightly. The hood can be reversed and mounted on the lens when not in use.

Cameras with AF-Assist Illuminators

The lens or lens hood may block the light from the camera AF-assist illuminator.

- For the information on using the lens with cameras that have built-in AF-assist illuminators, visit the site below.

<https://downloadcenter.nikonimglib.com/>

Using the Lens on Cameras with a Built-in Flash

Shadows will be visible in photos where light from the built-in flash is obscured by the lens or lens hood. Remove the lens hood before shooting. Note, however, that depending on the distance to the subject, and in the case of zoom lenses also on the lens focal length, shadows may appear even when the lens hood is removed.

- For the information on focal lengths and subject distances at which shadows will not appear in photos taken with a built-in flash, visit the site below.

<https://downloadcenter.nikonimglib.com/>

Precautions for Use

- Do not pick up or hold the lens or camera using only the lens caps or lens hood.
- Keep the CPU contacts clean.
- Should the rubber lens-mount gasket be damaged, cease use immediately and take the lens to a Nikon-authorized service center for repair.
- Reattach the lens caps when the lens is not in use.
- Do not leave the lens in humid locations or in locations in which it may be exposed to moisture. Rusting of the internal mechanism can cause irreparable damage.
- Do not leave the lens next to open flames or in other extremely hot locations. Extreme heat could damage or warp the lens.
- Taking the lens from a warm to a cold environment or vice versa may cause damaging condensation inside and outside the lens. Place the lens in a sealed bag or plastic case before taking it across a temperature boundary. The lens can be taken from the bag or case once it has had time to adjust to the new temperature.
- We recommend that you place the lens in its case to protect it from scratches during transport.

Lens Maintenance

- Removing dust is normally sufficient to clean the glass surfaces of the lens.
- Smudges, fingerprints, and other oily stains can be removed using a soft, clean cotton cloth or third-party lens cleaning tissue lightly dampened with a small amount of ethanol or third-party lens cleaner; clean from the center outwards in a circular motion. Be sure to clean evenly and thoroughly without leaving smears.
- Never use organic solvents such as paint thinner or benzene to clean the lens.
- Neutral Color (NC) filters (available separately) and the like can be used to protect the front lens element.
- Do not store the lens in direct sunlight or with naphtha or camphor moth balls. If the lens will not be used for an extended period, store it in a cool, dry location to prevent mold and rust.

Accessories

Supplied Accessories

- LC-67B Lens Cap (front cap)
- LF-N1 Lens Cap (rear cap)
- HB-93A Lens Hood
- CL-C2 Lens Case

Using the Lens Case

- The case is intended to protect the lens from scratches, not from falls or other physical shocks.
- The case is not water resistant.
- The material used in the case may fade, bleed, stretch, shrink, or change color when rubbed or wet.
- Remove dust with a soft brush.
- Water and stains can be removed from the surface with a soft, dry cloth. Do not use alcohol, benzene, thinner, or other volatile chemicals.
- Do not store in locations exposed to direct sunlight or high temperatures or humidity.
- Do not use the case to clean the monitor or lens elements.
- Be careful that the lens does not fall from the case during transport.

Material: Polyester

Other Compatible Accessories

- 67 mm filters

Filters

- Use only one filter at a time.
- Remove the lens hood before attaching filters or rotating circular polarizing filters.

Specifications

Mount	Nikon Z mount
Focal length	28 – 75 mm
Maximum aperture	f/2.8
Lens construction	15 elements in 12 groups (including 1 ED element, 1 super-ED element, 3 aspherical elements)
Angle of view	<ul style="list-style-type: none">• FX format: 75° – 32°10'• DX format: 53° – 21°20'
Focal length scale	Graduated in millimeters (28, 35, 50, 75)
Focusing system	Internal focusing system
Minimum focus distance (measured from focal plane)	<ul style="list-style-type: none">• 28 mm zoom position: 0.19 m (0.63 ft)• 35 mm zoom position: 0.22 m (0.73 ft)• 50 mm zoom position: 0.3 m (0.99 ft)• 75 mm zoom position: 0.39 m (1.28 ft)
Maximum reproduction ratio	0.34×
Diaphragm blades	9 (rounded diaphragm opening)
Aperture range	f/2.8 – 22
Filter-attachment size	67 mm (P = 0.75 mm)
Dimensions (maximum diameter × distance to end of lens from camera lens mount flange)	Approx. 75 mm × 120.5 mm (3 in. × 4.8 in.)
Weight	Approx. 565 g (1 lb 4 oz)

Nikon reserves the right to change the appearance, specifications, and performance of this product at any time and without prior notice.